

Schottky Barrier Diode

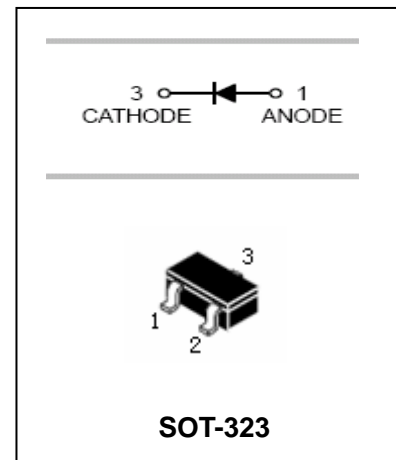
RB461F

FEATURES

- Small total capacitance.
- Power dissipation.($P_D=150\text{mW}$)



Lead-free



APPLICATIONS

- For general purpose applications.

ORDERING INFORMATION

Type No.	Marking	Package Code
RB461F	3B	SOT-323

MAXIMUM RATING @ $T_a=25^\circ\text{C}$ unless otherwise specified

Parameter	Symbol	Limits	Unit
Diode reverse voltage	V_R	20	V
Forward continuous Current	I_F	700	mA
Power Dissipation	P_d	150	mW
Junction temperature	T_j	150	$^\circ\text{C}$
Storage temperature range	T_{stg}	-55 to +150	$^\circ\text{C}$

ELECTRICAL CHARACTERISTICS @ $T_a=25^\circ\text{C}$ unless otherwise specified

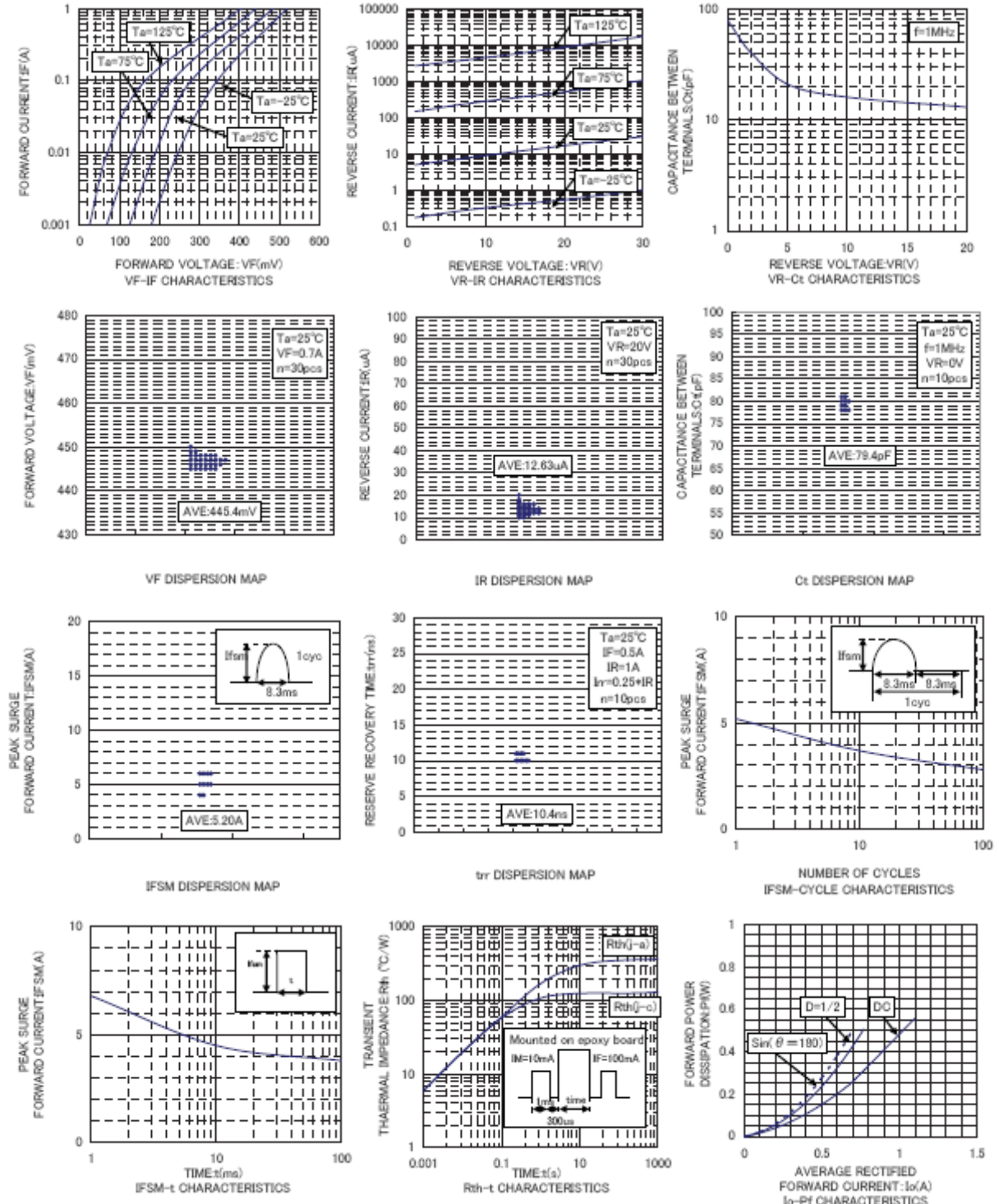
Parameter	Symbol	Test conditions	MIN	Typ.	MAX	UNIT
Reverse breakdown voltage	$V_{(BR)R}$	$I_R=1\text{mA}$	20			V
Reverse current	I_R	$V_R=20\text{V}$			200	μA
Forward voltage	V_F	$I_F=700\text{mA}$			0.49	V



Schottky Barrier Diode

RB461F

TYPICAL CHARACTERISTICS @ Ta=25°C unless otherwise specified



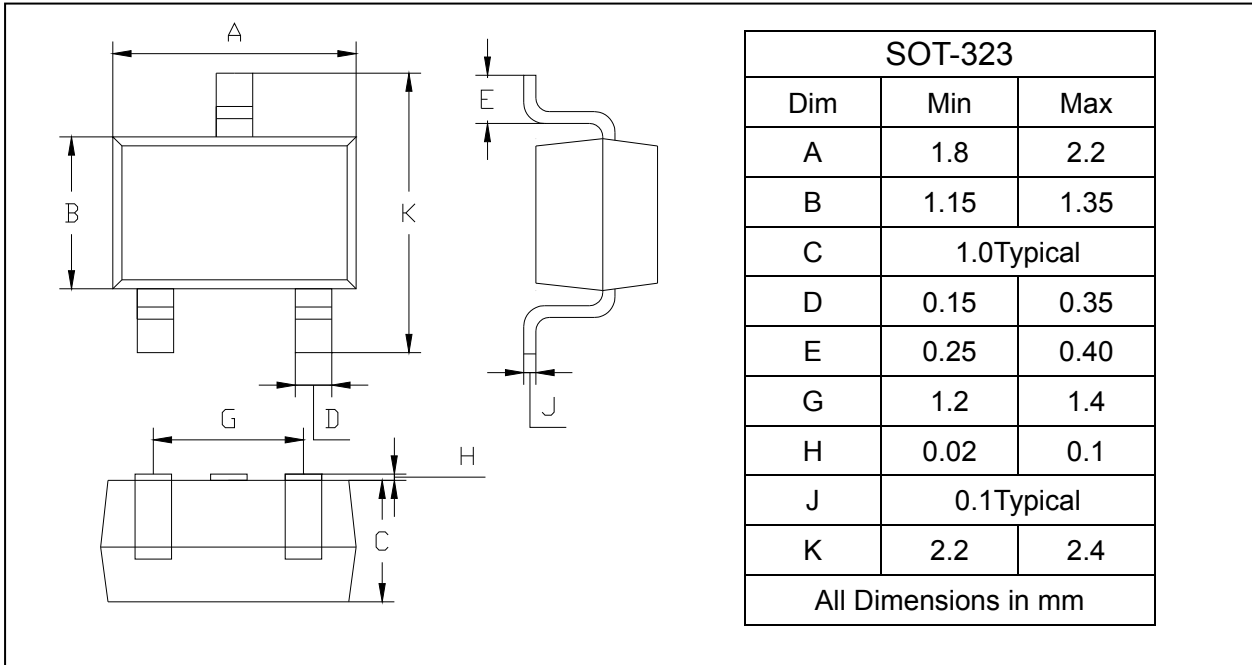
Schottky Barrier Diode

RB461F

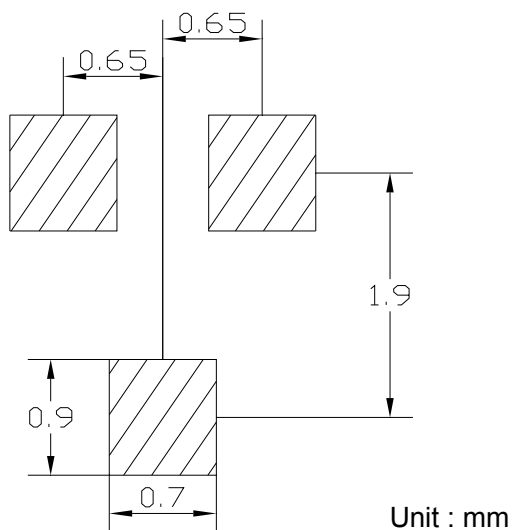
PACKAGE OUTLINE

Plastic surface mounted package

SOT-323



SOLDERING FOOTPRINT



PACKAGE INFORMATION

Device	Package	Shipping
RB461F	SOT-323	3000/Tape&Reel